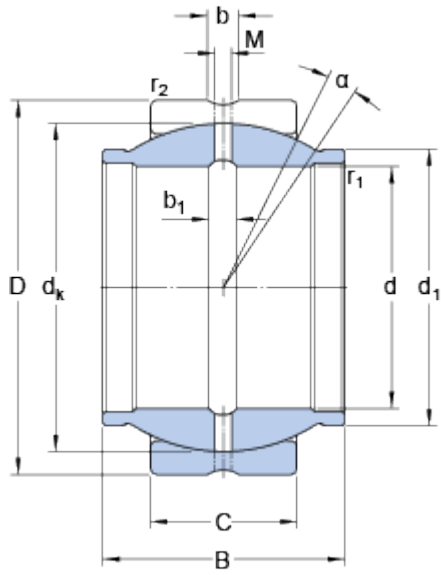


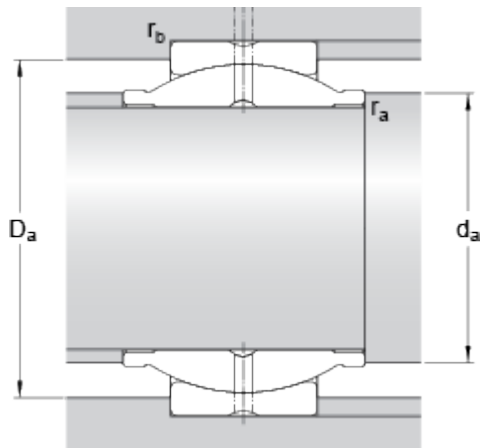
# GEG 40 ES

## Dimensions



d		40	mm
D		62	mm
B		40	mm
C		22	mm
$\alpha$		4	°
$d_k$		53	mm
$d_1$	≈	46	mm
b		3.9	mm
$b_1$		3.9	mm
M		2.5	mm
$r_1$	min.	0.6	mm
$r_2$	min.	1	mm

## Abutment dimensions



$d_a$	min.	44.8	mm
$d_a$	max.	46	mm
$D_a$	min.	50.3	mm
$D_a$	max.	57.8	mm
$r_a$	max.	0.6	mm
$r_b$	max.	1	mm

## Calculation data

Basic dynamic load rating	C	100	kN
Basic static load rating	$C_0$	500	kN
Specific dynamic load factor	K	100	N/mm <sup>2</sup>
Specific static load factor	$K_0$	500	N/mm <sup>2</sup>
Material constant	$K_M$	330	

## Mass

